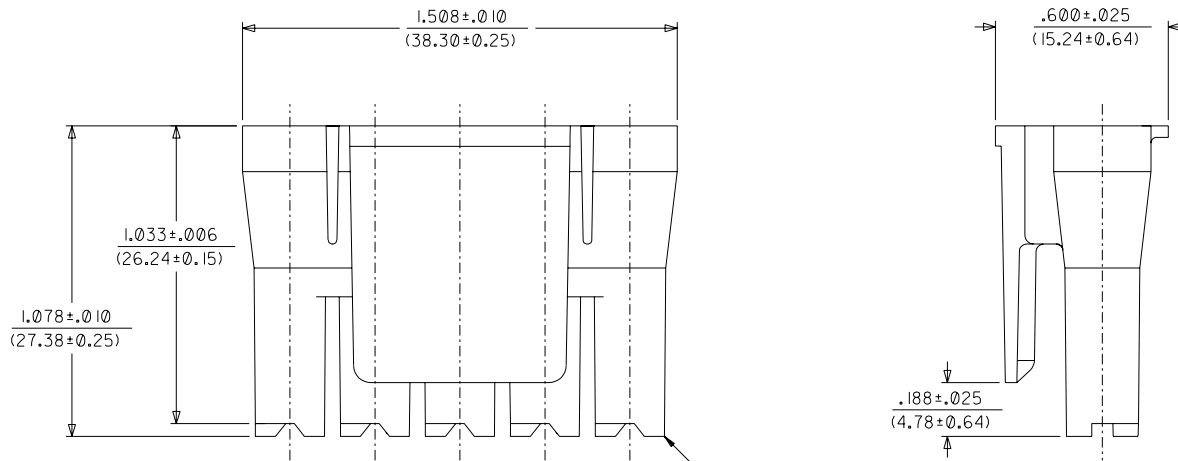


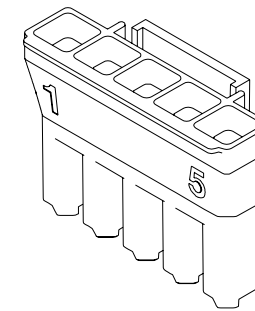
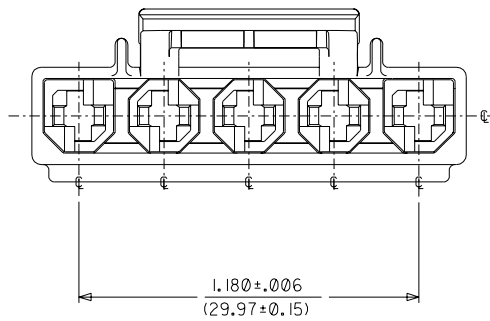
NOTES:

1. MATERIAL: SEE CHART.
2. THIS CONNECTOR HOUSING FOR USE WITH 43375-***** TERMINALS.
3. THIS CONNECTOR HOUSING WILL MATE TO A-43160-*****5, 43180-****5, AND 43680-****5 HOUSINGS.
4. PRODUCT SPECIFICATION: PSX-44441-9999.
5. PACKAGING: PK-44441-001.

ITEM NUMBER	MATERIAL	COLOR
44441-2005	UL94V-0 NYLON	BLACK
44441-1005	UL94V-2 NYLON	NATURAL (TRANSLUCENT)



CIRCUIT 1



44441-005
(NO SCALE)

C1	ADD V-2 VERSION UCP 2004-2000 BW 9-20-04
C	REVISED PER UCR1999-0340 98/11/25 LENZ
B2	REVISED PER ECN* U71442 97/05/21 KBP
B1	REVISED PER ECR *U70915 MARANTO 97/02/06
B	REVISED PER ECR *U70564 MARANTO 97/01/15
A1	REVISED PER ECN* U70029 96/07/12 KSM
A	REMOVE "X" PER ECN* U60363 95/09/18 MAB
I	X-RELEASE ECR U5 0548 GXC 95/01/09

DIMENSIONS SHOWN (METRIC) INCH		MFG. SH. REV. LTR. REVISIONS	
UNLESS OTHERWISE SPECIFIED TOLERANCES: ANGULAR ± 1/2°		REVISE ONLY ON CAD SYSTEM	
3 PLACE ± .005	---	TITLE	
2 PLACE ± .01	± 0.13	5-CIR RECEPTACLE HOUSING .125/(3.18) X .020/(0.51) SABRE - TPA	
1 PLACE ---	± 0.25	MOLEX INCORPORATED SHEET NO. DATE LITSE,ILL. 60532 U.S.A. 1 OF 1 95/01/09	
DRAFT WHERE APPLICABLE MUST REMAIN WITHIN DIMENSIONS		PART NO. DRWG. NO. SEE CHART SD-44441-005	
DRWG. BY GXC	CHK'D. BY KBP	FILE NAME S4444151.DGN	
APP'D. BY RAS	SCALE 3: 1	THIS DRAWING CONTAINS INFORMATION THAT IS PROPRIETARY TO MOLEX INC. AND SHOULD NOT BE USED WITHOUT WRITTEN PERMISSION	